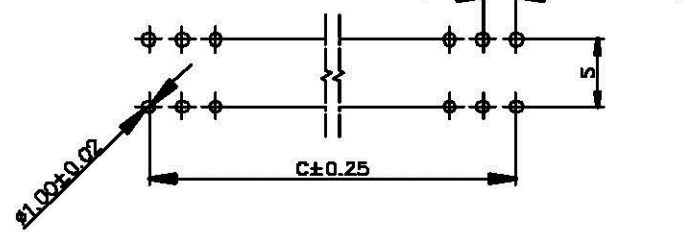
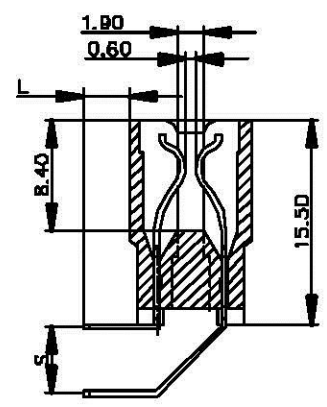
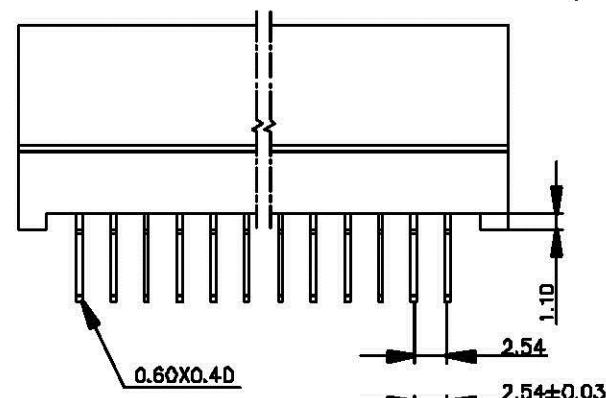
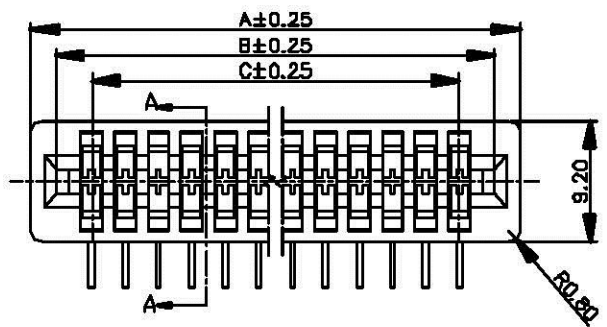


REV.	ECN NO.	ADDP.
H	0504006	Joseph Chau 8/02/14



FEATURE:
 INSULATOR
 Glass-Filled P.B.T. is 94V-0 rated
 CONTACT
 Phosphor Bronze selective gold plating
 over nickel

SPECIFICATION:
 Current Rating : 3 amperes
 Contact Resistance : 20 miniohms max.
 Operation Temperature : -55°C to +105°C
 Voltage Rating : 800 VAC 1 minute
 Insulation Resistance : 5000 megaohms min.
 Insertion Force : 412 grams max. per pair
 Withdrawal Force : 32 grams min. per pair

NOTE:
 ORDERING INFORMATION
 ex
 SERIES NO. CONTACTS NO. TAIL LENGTH ROW TO ROW SIZES



CONTACTS NO.	DIM A	DIM B	DIM C	CONTACTS NO.	DIM A	DIM B	DIM C
2/4	11.68	7.82	2.54	18/36	52.32	48.46	43.18
3/6	14.22	11.36	5.08	19/38	54.86	51.01	45.72
4/8	16.76	12.90	7.62	21/40	57.40	53.54	48.26
5/11	19.31	15.44	11.16	22/44	62.48	58.62	53.34
6/12	21.84	17.98	12.71	24/48	67.56	63.70	58.42
7/14	24.38	20.52	15.24	25/50	71.10	66.24	61.96
8/16	26.92	23.16	17.78	30/60	82.81	78.94	73.66
9/18	29.46	25.61	20.32	31/62	85.34	81.48	76.20
11/21	32.00	28.14	22.86	32/64	87.88	84.12	78.74
11/22	34.54	30.68	25.41	35/70	95.51	91.64	86.36
12/24	37.18	33.22	27.94	36/72	98.04	94.18	88.91
13/26	39.62	35.76	30.48	41/81	118.20	104.34	99.06
14/28	42.16	38.31	33.12	43/86	115.82	111.96	106.68
15/31	44.71	41.84	35.56	49/98	138.68	134.82	129.54
16/32	47.24	43.38	38.10	51/101	133.61	129.74	124.46
17/34	49.78	45.92	41.64	54/108	143.76	139.91	134.62

All connectors
 www.allconnectors.de
 Tel: 0049 711 7009502
 70794 Filderstadt, Germany
 info@allconnectors.de
 Fax: 0049 711 7009501
 Kollmutterstr. 25

TAIL LENGTH	L	Row To Row	S
A	3.50mm	A	5.08mm
B	6.00mm	B	3.81mm
C	10.80mm	C	3.00mm
		D	2.54mm

X± 1.10	X± 1.38	XX± 0.25	NAME INTENDED USED	EDGE CARD CONN.
X*	X*	XX*		
UNITS: mm	DATE: 8/1/2014	PART NO. INTENDED USED	1201 SERIES	
MATL:	CONTACT: PHOSPHOR BRONZE	HOUSING: P.B.T. UL94V-I	TITLE: EDGE CONNECTOR 2.54mm PITCH WITHOUT MOUNTING EARS R/A TYPE	
APDP: Joseph Chau	APRD: Ching-Yi Yu	DR: Zi.Hsiang.Chen	DWG NO: 010-0000-512	SCALE: N/A
			SHEET: 1/1	REV: H